
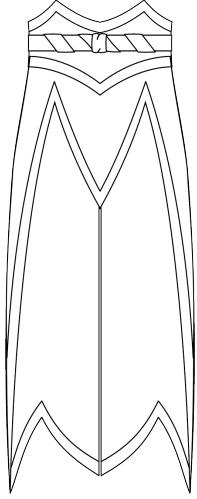
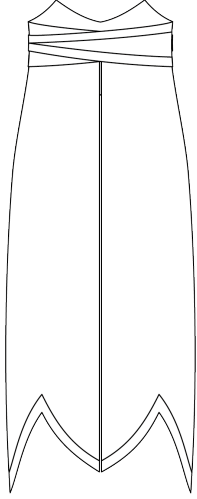



Safety Information			 BURGSCHNEIDER™	
Product:	Skirt	Size Range:		S/M, L/XL, 2XL/3XL
Modell:	Sorcerer Battle Skirt			
Item-No.:	020707NH			

Technical Illustration:	
	
FRONT VIEW	BACK VIEW

Material Composition:
100% Cotton, Baumwolle, coton, katoen, bomuld, pumpuli, bomull, cotone, algodón, algodão, bawenła, bavlna

Care Instruction:

<p>Machine wash cool, gentle and separately, air dry, do not bleach Separat bei 30° im Schonwaschgang waschen, an der Luft trocknen, nicht bleichen Laver séparément à 30° en cycle délicat, sécher à l'air, ne pas blanchir Lavar por separado a 30° en ciclo delicado, secado al aire, no blanquear</p>

Safety Instruction Product:
<p>Wash before wearing for the first time. Only use as intended and not for any other purpose. Keep away from sharp and pointed objects. Keep away from sparks, open flames and other flammable sources. To avoid injury, do not pull the straps too tightly.</p>

Safety Instruction Packaging:
Plastic bags can be dangerous. To avoid danger of suffocation, keep this bag away from babies and children.

Contact:
<p>Burgschneider GmbH Oberurseler Straße 61-63 61440 Oberursel (Taunus) DE support@burgschneider.com</p>