
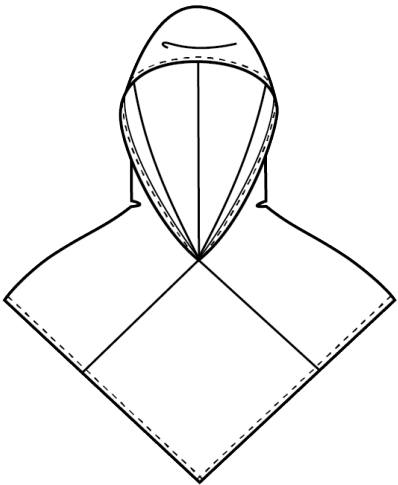
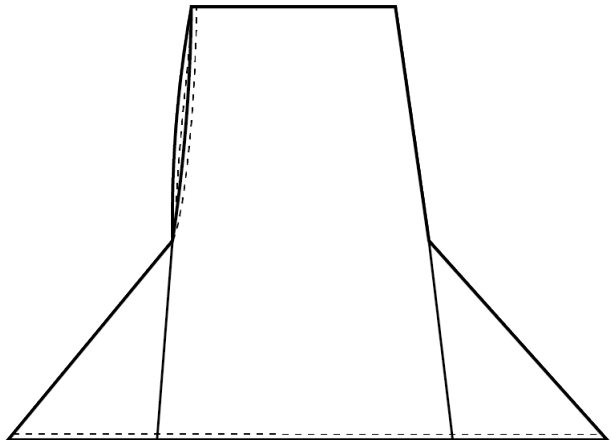







Safety Information				 BURGSCHNEIDER™
Product:	Cowl	Size Range:	S/M, L/XL	
Modell:	Bjorn			
Item-No.:	040002BL			

Technical Illustration:	
	
FRONT VIEW	SIDE VIEW

Material Composition:
74% Wool, Wolle, laine, wol, uld, villa, ull, ylle, lana, lã, wełna, vlna 15% Polyester, polyesteri, poliester, poliéster, poliester 7% Polyamide, Polyamid, polyamidi, poliammide, poliamida, poliamid 4% Other natural fibres, sonstige Naturfasern, autre fibres diverses, natuurlijke vezels, andre naturlige fibre, muut luonnonkuidut, andra naturliga fibrer, altre fibre naturali, otras fibras naturales, outras fibras naturais, inne włókna naturalne, ostatní přírodní vlákna, iné prírodné vlákna

Care Instruction:
    
Hand wash, do not use fabric softener, air dry, do not bleach Handwäsche, keinen Weichspüler verwenden, an der Luft trocknen, nicht bleichen Lavage à la main, ne pas utiliser d'adoucissant, sécher à l'air, ne pas blanchir Lavar a mano, no utilice suavizante, secar al aire, no usar lejía

Safety Instruction Product:
Wash before wearing for the first time. Only use as intended and not for any other purpose. Keep away from sharp and pointed objects. Keep away from sparks, open flames and other flammable sources.

Safety Instruction Packaging:
Plastic bags can be dangerous. To avoid danger of suffocation, keep this bag away from babies and children.

Contact:
Burgschneider GmbH Oberurseler Straße 61-63 61440 Oberursel (Taunus) DE support@burgschneider.com